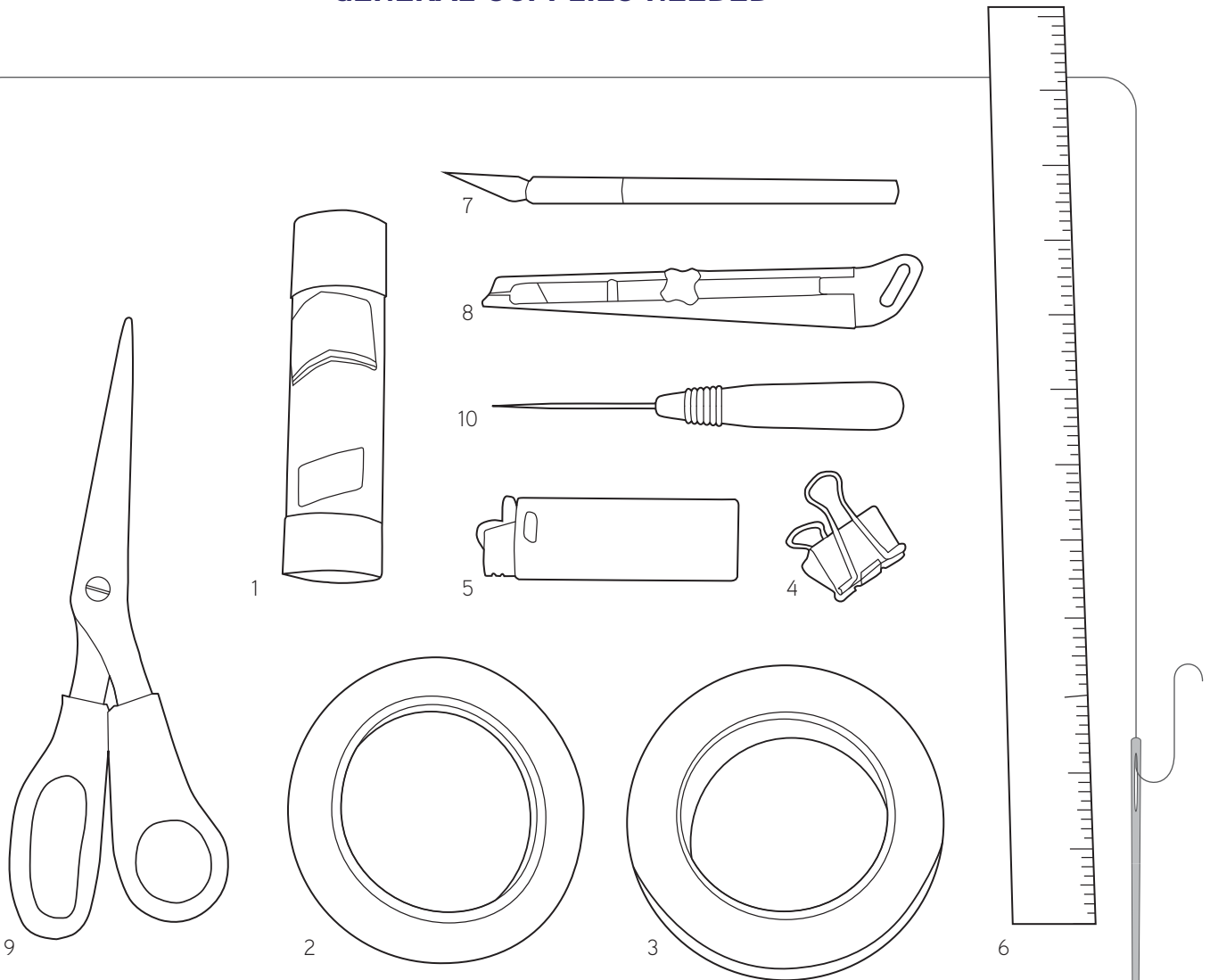




DIY Sewing Academy

GENERAL SUPPLIES NEEDED



Basic Supplies:

- glue stick (1)
- double sided tape (1/4" or 5 mm) (2)
- thin cardboard
- masking tape (3)
- metal edge ruler (6), 12 in or 25 cm minimum length
- cutting mat
- knife and blades (X-Acto with #11 blades or Olfa, etc.) (7,8)
- scissors (9)
- sewing machine with matching bobbins
- zipper foot
- hand-sewing needle

When working with leather:

- binder clips (4)
- lighter (when using bonded nylon thread) (5)
- leather machine needles
- teflon presser foot

Optional:

- pattern awl (10)
- cording or piping foot
- 1/8" or 3 mm edge foot
- roller foot (as a replacement for the Teflon foot)

Sewing supplies are available at sewing notions, trimming or fabric stores. Glue, tapes, knives, cardboard and rulers are available at office supplies, stationary or design stores. All items can also be ordered online.

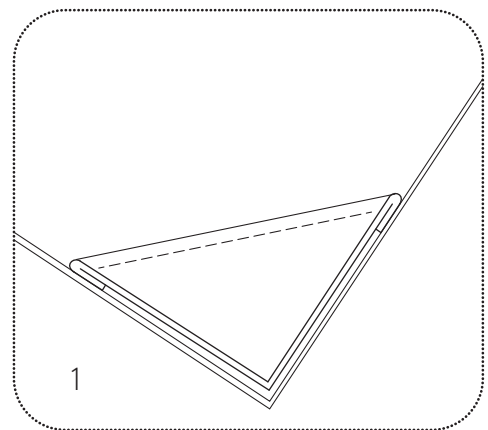


SIMPLE BACKPACK: CUTTING, SEWING & ASSEMBLY INSTRUCTIONS

Wash the fabric. If you like, you can now use textile paint to decorate your fabric.

Carefully cut the pattern. If you like using a thicker pattern piece: Glue onto thin cardboard. Fold at center line (trace the center line with an awl before folding). Carefully cut out the folded pattern with knife. Puncture the dots with a pattern awl. Press and block the fabric, if necessary. Trace the outline of the pattern and the pinmarks with a pen onto the fabric. Remove the pattern and carefully cut the fabric with scissors or a rotary cutter.

Attach den corner reinforcements onto the front and back: Fold the corner reinforcements along the fold line and sew onto the front and back side (see illustration 1).



Sew the two front/back pieces together: good sides facing each other, pin and then sew along the seam allowance line. Sew only from one mark to the other mark (see illustration 2).

Fold, iron and pin first the remaining side seam allowance and then the folds at the top (see illustration 3 and 4).

