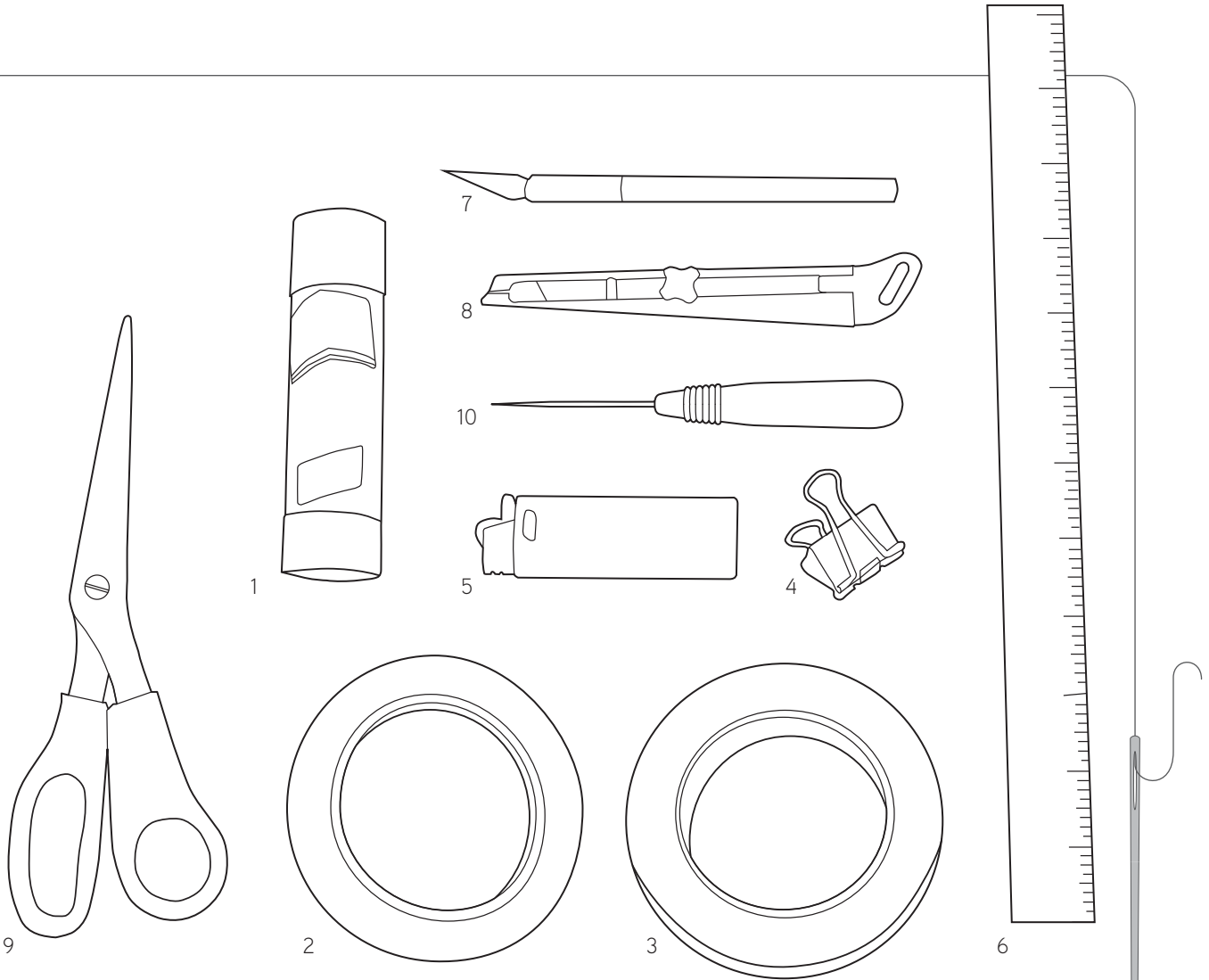




GENERAL SUPPLIES NEEDED



Basic Supplies:

- glue stick (1)
- double sided tape (1/4" or 5 mm) (2)
- thin cardboard
- masking tape (3)
- metal edge ruler (6), 12 in or 25 cm minimum length
- cutting mat
- knife and blades (X-Acto with #11 blades or Olfa, etc.) (7,8)
- scissors (9)
- sewing machine with matching bobbins
- zipper foot
- hand-sewing needle

When working with leather:

- binder clips (4)
- lighter (when using bonded nylon thread) (5)
- leather machine needles
- teflon presser foot

Optional:

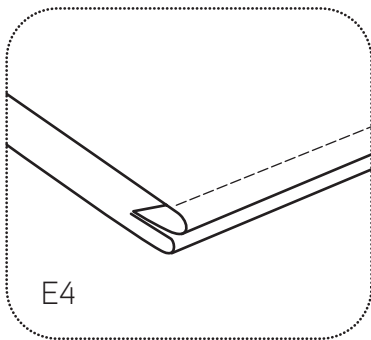
- pattern awl (10)
- cording or piping foot
- 1/8" or 3 mm edge foot
- roller foot (as a replacement for the Teflon foot)

Sewing supplies are available at sewing notions, trimming or fabric stores. Glue, tapes, knives, cardboard and rulers are available at office supplies, stationary or design stores. All items can also be ordered online.



DIY Sewing
Academy

DUFFLE BAG: CUTTING, SEWING & ASSEMBLY INSTRUCTIONS



E4 Finishing the last seam

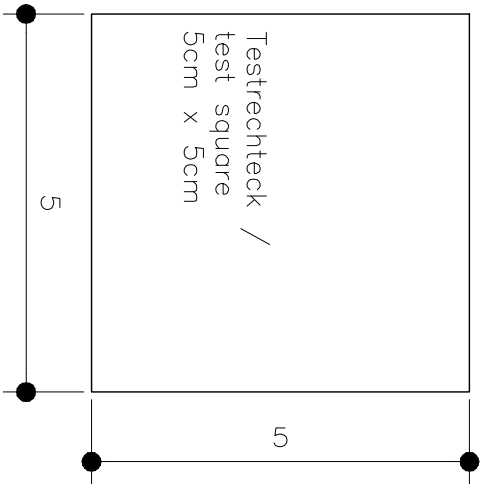
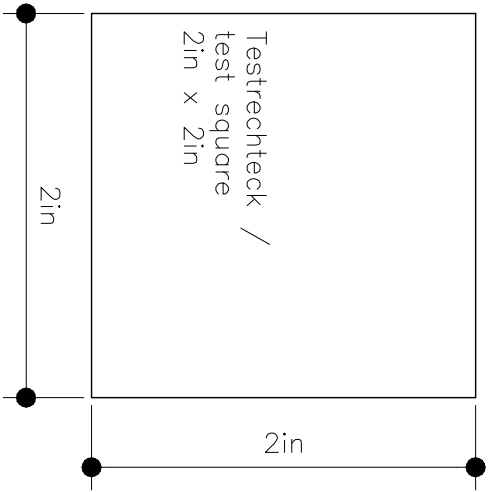
Turn the exterior of the bag to be on the right side - you should be able to see the completed exterior of the bag now. Take the lining out of the bag. Reattach the pins on the last open seam. Topstitch the final seam (see illustration). Put lining back inside the bag.

That's it - your're finished! Congratulations.

You can now dye the fabric with fabric dye.

Email Kasia at the DIY Sewing Academy diysewingacademy@ksia-berlin.de if you have any questions.





A

A large, bold, grey letter 'A' is positioned in the lower-left quadrant of the page. It is surrounded by several thin black lines that represent its construction or alignment with the page's dashed border. These lines include a vertical line on the left, a diagonal line from the top-left to the bottom-right, another diagonal line from the top-right to the bottom-left, and a horizontal line at the base. There are also curved lines that appear to be part of a larger geometric construction or a specific font style.